

## Class B AIS Transponder for Pleasure & Fishing Boats

SHIP A  
Ship type : Cargo  
Status : Underway  
Speed / Course : 6.9kn / 275°  
Length x Breadth : 229m x 26m  
Draught : 12m

SHIP B  
Ship type : Tug  
Status : Underway  
Speed / Course : 10.2kn / 315°  
Length x Breadth : 42m x 9m  
Draught : 2m

SHIP C  
Ship type : Tug  
Status : Underway  
Speed / Course : 12.7kn / 310°  
Length x Breadth : 164m x 26m  
Draught : 5m

SHIP G  
Ship type : Fishing  
Status : Underway  
Speed / Course : 7.7kn / 272°  
Length x Breadth : 20m x 8m  
Draught : 0m

SHIP D  
Ship type : Pleasure Craft  
Status : Underway  
Speed / Course : 8.2kn / 115°  
Length x Breadth : 20m x 6m  
Draught : 0m

SHIP E  
Ship type : Other  
Status : Underway  
Speed / Course : 13kn / 245°  
Length x Breadth : 181m x 28m  
Draught : 7.3m

SHIP F  
Ship type : Cargo  
Status : Underway  
Speed / Course : 9.9kn / 267°  
Length x Breadth : 227m x 16m  
Draught : 5.8m



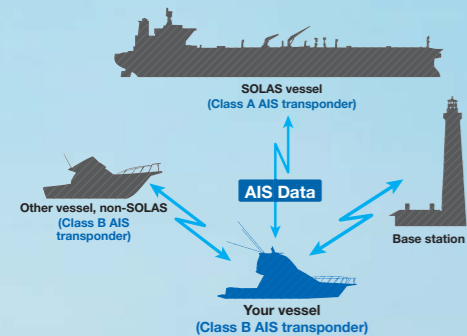
Real-time Vessel Traffic Information.



# All the Advantages of AIS Transponder in an Easy to Use, Compact Design

## What is an AIS transponder?

An AIS transponder on your boat automatically receives information broadcast by other AIS-equipped vessels and base stations, all while your own vessel's static and dynamic information is being transmitted. AIS signals may reach where radar cannot, showing AIS-equipped vessels that might otherwise be hidden, such as on the other side of an island or behind a larger vessel. SOLAS commercial vessels are already required to carry a Class A AIS transponder, so your position will be known by nearby large vessels. The MA-500TR increases your safety at sea.



## Class B AIS transponder

The MA-500TR is a Class B AIS transponder for Non-SOLAS vessels such as pleasure craft, work-boat and small vessels. Your vessels information will automatically be transmitted at fixed intervals or under base station control. The MA-500TR receives dual AIS channels (Ch. 87B and Ch. 88B) simultaneously and receives both Class A and Class B AIS information.

Transmitted information by MA-500TR is

- MMSI code
- Vessel name
- Call sign
- Type of ship
- GPS antenna position
- Ship's position
- SOG (Speed over ground)
- COG (Course over ground)
- UTC date and time
- GPS antenna type
- PA (Position Accuracy)

## Simple operation

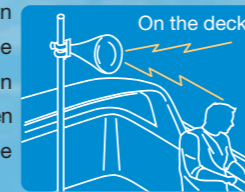
The Plotter display looks like a marine radar display. North-up, course-up and range zoom from 0.125 NM to 24 NM are supported. The Target list display shows all detected AIS equipped vessels and targets. The Danger list display shows a list of vessels that are within 6 NM CPA and 60 minutes TCPA from your vessel. The Danger list can be sorted by CPA or TCPA order. In addition to these display types, the Detail screen shows various information about the selected AIS target.

The interface consists of several screens:
 

- Plotter display:** A radar-style display showing vessel positions relative to the own ship.
- Target list display:** A table listing detected vessels with columns for MMSI/Name, Range (RNG), and Bearing (BRG). Example data: WESTWOOD (0.0, ---), 004310 (0.6, 323), 555129 (0.9, 102), 419690 (1.0, 101), 431300 (1.1, 087), MARINE BLU (1.2, 114), RAINBOW A (1.3, 200).
- Danger list display:** A table listing vessels within 6 NM CPA and 60 min TCPA. Example data: 514334 (0.1, 16.0), 564626 (0.3, 15.3), MOL EMERAL (0.8, 24.2), 953825 (1.2, 34.1), RAINBOW A (1.2, 1.0), TRADE WOR (1.4, 30.6), IVO (1.6, 26.4).
- Detail screens:** Multiple screens providing detailed information for a selected target, including Class, MMSI, ICOM, CPA, TCPA, LAT, LON, SOG, COG, HDG, PA, RANGE, BEARING, ROT, and NAV Status.

## CPA and TCPA for collision-risk management

When a vessel comes into the CPA and TCPA range, the vessel icon blinks on the Plotter display and emits a beep sound. When connected to external audio equipment installed on the deck or tower, the collision alarm function will alert you even when you are away from the AIS transponder.



## Individual DSC call\*

When connected to a compatible Icom VHF radio, it's easy to make an individual DSC call. Select a vessel using the MA-500TR's cursor keys and then push the "DSC" button on the MA-500TR. It is not required to input an MMSI number manually.



\*This function works only when connected to compatible Icom transceivers.

## 100 Waypoints memory

Up to 100 waypoints can be stored on the waypoint list. The "MOB" button allows you to set a waypoint on your current position instantly.

## Safety-related message

When the MA-500TR receives a safety-related message from a Class A AIS transponder, the message icon appears on the Plotter display. Up to 20 received DSC messages are automatically stored in the log memory.

## 3-line NMEA input/output

The MA-500TR has 15-pin D-SUB connector providing 3-lines of NMEA input/output on the rear panel. The supplied NMEA connector cable simplifies the installation and connection to the VHF radio and other navigation equipment.

## MXG-5000S GPS receiver

The GPS receiver, MXG-5000S comes with the MA-500TR\*. It is a 66 channel parallel GPS receiver with SBAS function.



\*The MXG-5000S may be sold separately, depending on version.

## Other features

- Full dot-matrix display with adjustable backlight and contrast
- IPX7 waterproof protection (up to 1m depth of water for 30 minutes; except connectors)
- Self diagnostics function
- Flush mount installation with optional MB-75
- Slow warn function

\* VHF radio is sold separately. Above photo shows the IC-M504 (USA version). For Europe this is the IC-M505.

CLASS B AIS TRANSPONDER  
**MA-500TR**



## SPECIFICATIONS

### GENERAL

- Operating frequencies : 161.975, 162.025 MHz (Ch 87B, 88B, default)  
156.025–162.025 MHz
- Type of emission : 16K0GXW (GMSK)
- Antenna impedance : 50Ω
- Usable temperature range : -20°C to +60°C  
; -4°F to +140°F
- Power supply requirement : 12V DC (9.6–15.6V)
- Current drain : TX 1.5A  
(at 12.0V DC) RX 0.7A
- Dimensions (W×H×D) : 165×110×123 mm (projections not included) ; 6.5×4.33×4.84 in
- Weight (approx.) : 1.0kg; 2.2lb

### TRANSMITTER

- Output power : 2W
- Modulation : GMSK
- Conducted spurious emission : Less than -36dBm

### RECEIVER

- Sensitivity (20% error rate) : -110dBm (AIS/DSC)
- Adjacent Ch. selectivity : More than 70dB (AIS/DSC)
- Spurious response : More than 70dB (AIS)  
More than 70dB (DSC)
- Intermodulation : More than 65dB (AIS/DSC)
- Conducted spurious emission : Less than -57dBm (AIS)

Measurements made in accordance with IEC 62287-1.

All stated specifications are subject to change without notice or obligation.

### DATA INTERFACE

- Data Input Interface : NMEA1, NMEA3 IEC 61162-1:2000 (4,800bps) or IEC 61162-2 (38,400bps)
- NMEA2 IEC 61162-2 (38,400bps)
- Sentence format (common to NMEA1–3) RMC, GGA, VTG, GSA, GSV, DTM, GNS, GLL, and GBS\*1
- Input level (2V applied) : Less than 2mA
- Data Output Interface : NMEA1, NMEA3 IEC 61162-1:2000 (4,800bps) or IEC 61162-2 (38,400bps)
- NMEA2 IEC 61162-2 (38,400bps)
- Sentence format NMEA1 DSC, RMC, GGA, VTG, GSA, GSV, GBS, DTM, DSE, GNS and GLL  
NMEA2 VDM, VDO, ALR, ACA, ACS, TXT, RMC\*2, GGA\*2, GNS\*2, GLL\*2, VTG\*2, GSA\*2, GSV\*2, GBS\*2 and DTM\*2  
NMEA3 RMC, GGA, VTG, GSA, GSV, GBS, DTM, GNS, and GLL
- Output level : 5V, 40mA Max.  
RS-422 balanced type
- Rating of alert terminal : 24V DC, 500mA max.

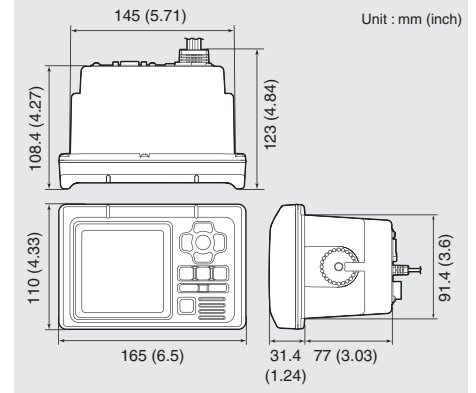
\*1 To use a third party GPS receiver with the MA-500TR, a GPS receiver with RAIM function is required.

\*2 Depending on AIS output setting.

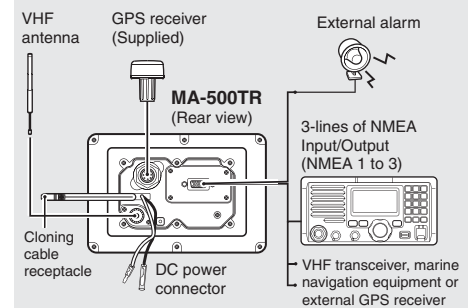
#### MA-500TR contents:

- AIS transponder, MA-500TR
- GPS receiver with 10m cable
- NMEA connector cable
- Mounting bracket kits
- DC power cable

### DIMENSIONS



### REAR PANEL VIEW



## OPTIONS



**MB-75**  
FLUSH MOUNT KIT  
For flush-mounting the MA-500TR to a flat surface, such as a control panel.



Icom, Icom Inc. and Icom logo are registered trademarks of Icom Incorporated (Japan) in Japan, the United States, the United Kingdom, Germany, France, Spain, Russia, Australia, New Zealand and/or other countries. All other trademarks are the properties of their respective holders.

## Icom Inc.

1-1-32, Kamiminami, Hirano-Ku, Osaka 547-0003, Japan Phone: +81 (06) 6793 5302 Fax: +81 (06) 6793 0013

[www.icom.co.jp/world](http://www.icom.co.jp/world)

Count on us!

### Icom America Inc.

12421 Willows Road NE,  
Kirkland, WA 98034, U.S.A.  
Phone: +1 (425) 454-8155  
Fax: +1 (425) 454-1509  
E-mail: [sales@icomamerica.com](mailto:sales@icomamerica.com)  
URL: <http://www.icomamerica.com>

### Icom Canada

Glenwood Centre #150-6165  
Highway 17A, Delta, B.C.,  
V4K 5B8, Canada  
Phone: +1 (604) 952-4266  
Fax: +1 (604) 952-0090  
E-mail: [info@icomcanada.com](mailto:info@icomcanada.com)  
URL: <http://www.icomcanada.com>

### Icom Brazil

Rua Itororó, 444 Padre Eustáquio  
Belo Horizonte MG,  
CEP: 30720-450, Brazil  
Phone: +55 (31) 3582 8847  
Fax: +55 (31) 3582 8987  
E-mail: [sales@icombrasil.com](mailto:sales@icombrasil.com)

### Icom (Europe) GmbH

Communication Equipment  
Auf der Krautweide 24  
65812 Bad Soden am Taunus, Germany  
Phone: +49 (6196) 76685-0  
Fax: +49 (6196) 76685-50  
E-mail: [info@icom-europe.com](mailto:info@icom-europe.com)  
URL: <http://www.icomeurope.com>

### Icom Spain S.L.

Ctra. Rubi, No. 88 "Edificio Can Castanyer"  
Bajos A 08174, Sant Cugat del Valles,  
Barcelona, Spain  
Phone: +34 (93) 590 26 70  
Fax: +34 (93) 589 04 46  
E-mail: [icom@icomspain.com](mailto:icom@icomspain.com)  
URL: <http://www.icomspain.com>

### Icom (UK) Ltd.

Blacksloe House, Altira Park,  
Herne Bay, Kent, CT6 6GZ, U.K.  
Phone: +44 (0) 1227 741741  
Fax: +44 (0) 1227 741742  
E-mail: [info@icomuk.co.uk](mailto:info@icomuk.co.uk)  
URL: <http://www.icomuk.co.uk>

### Icom France s.a.s.

Zac de la Plaine,  
1 Rue Brindjone des Moulinois, BP 45804,  
31505 Toulouse Cedex 5, France  
Phone: +33 (5) 61 36 03 03  
Fax: +33 (5) 61 36 03 00  
E-mail: [icom@icom-france.com](mailto:icom@icom-france.com)  
URL: <http://www.icom-france.com>

### Icom (Australia) Pty. Ltd.

Unit 1 / 103 Garden Road,  
Clayton, VIC 3168 Australia  
Phone: +61 (03) 9549 7500  
Fax: +61 (03) 9549 7505  
E-mail: [sales@icom.net.au](mailto:sales@icom.net.au)  
URL: <http://www.icom.net.au>

### Icom New Zealand

39C Rennie Drive, Airport Oaks,  
Auckland, New Zealand  
Phone: +64 (09) 274 4062  
Fax: +64 (09) 274 4708  
E-mail: [inquiries@icom.co.nz](mailto:inquiries@icom.co.nz)  
URL: <http://www.icom.co.nz>

### Asia Icom Inc.

6F No. 68, Sec. 1 Cheng-Teh Road,  
Taipei, Taiwan, R.O.C.  
Phone: +886 (02) 2559 1899  
Fax: +886 (02) 2559 1874  
E-mail: [sales@asia-icom.com](mailto:sales@asia-icom.com)  
URL: <http://www.asia-icom.com>

Your local distributor/dealer: